

WALL - WALL [1]

standard	variant
----------	---------

constructive

3 ply panel

electric installations

screwing

building physics

Trelleborg Universal-Profil

adhesive tape

WALL - WALL [2]

standard	variant
----------	---------

constructive

~ 400

Ø 8-10 mm

coverboard

building physics

INSIDE

Trelleborg
P-Profile

OUTSIDE

WALL - WALL [3]

standard	variant
----------	---------

constructive

~ 400

Ø 8-10 mm

building physics

Trelleborg P-Profile

2x Trelleborg Universal-Profile

WALL - CONCRETE CEILING

standard	variant
----------	---------

constructive

◀ Ø 6-8 mm

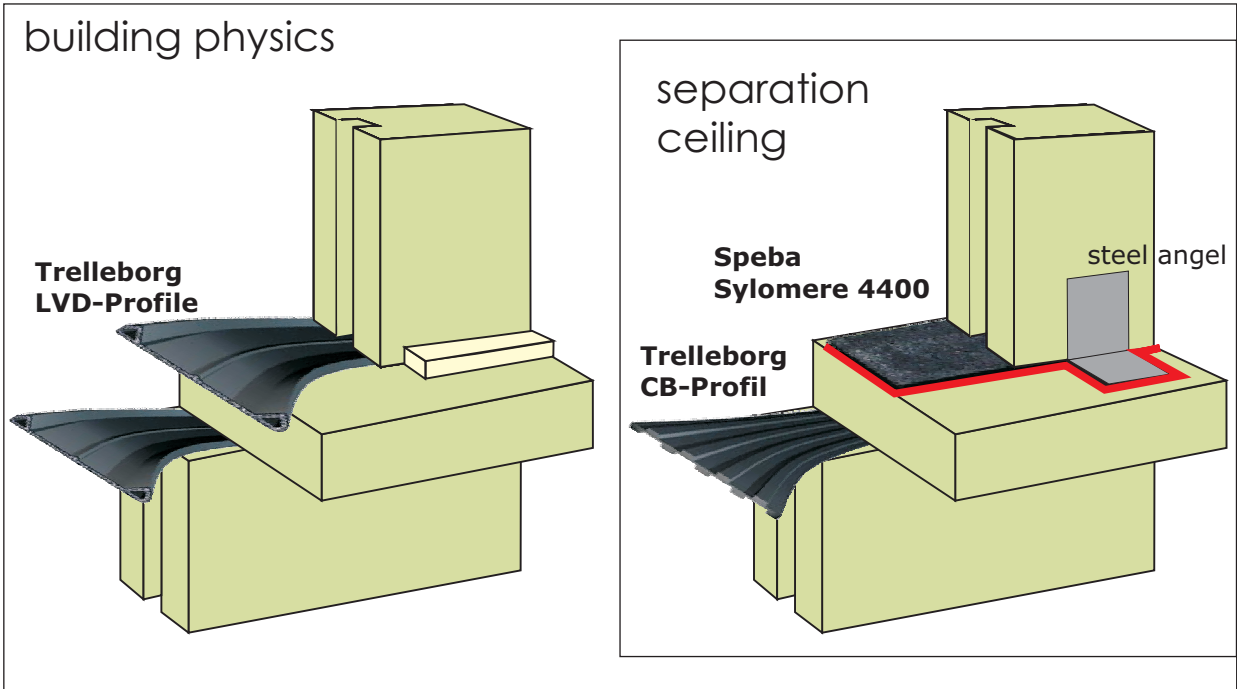
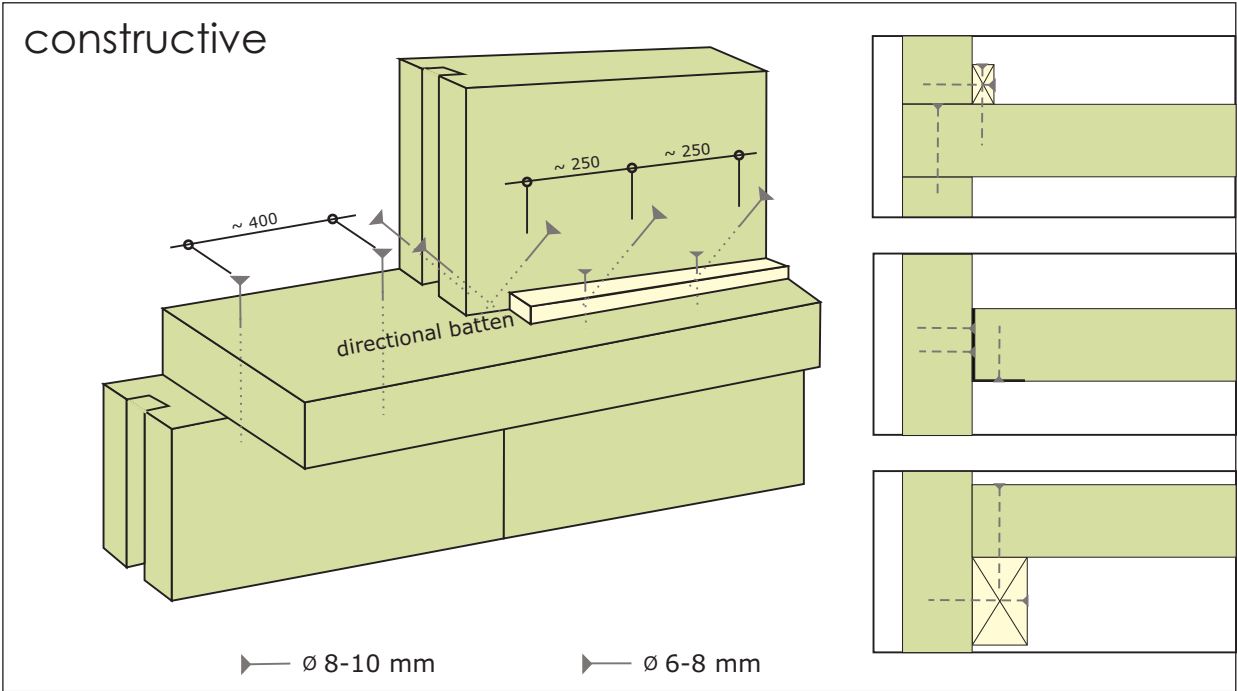
steel angel

building physics

Trelleborg ST-Profil

WALL - CEILING - WALL

standard	variant
----------	---------



CEILING - CEILING

standard	variant
----------	---------

constructive

3 ply panel

Ø 6-8 mm

building physics

Polyurethane Solution Adhesive

Trelleborg
Universal-Profil

Trelleborg
Universal-Profil

ROOF

standard	variant
----------	---------

constructive

~250

glue lam beam

◀ ø 8-10 mm

building physics

Trelleborg P/profil

Trelleborg ST-Profil

WALL BBS thermo

standard	variant
----------	---------

constructive

building physics

Trelleborg Universal-Profile

OUTSIDE

INSIDE